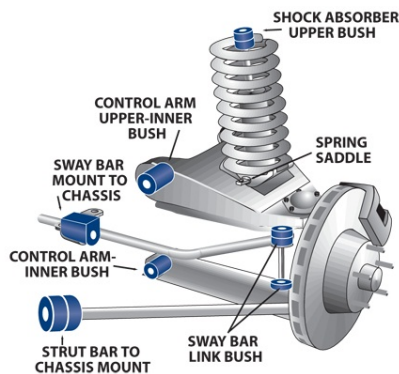


Suspension Parts & Poly Bushings for FORD AUSTRALIA FALCON 1966-1968 - XR - XT

Parts Application Diagrams

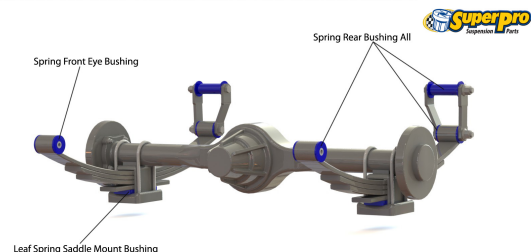
Double Control Arm

With Upper Wishbone, Lower Arm, Radius Rod & Spring Saddle



Leaf Spring Solid Axle

With Limited Lateral Location



Available SuperPro Parts

Position	Part Name	Part No.	Qty/Car	Sub Brand
Front	24mm Heavy Duty Non Adjustable Sway Bar	SFF3	1	Roll Control
Front	27mm Heavy Duty Non Adjustable Sway Bar	SFF3C	1	Roll Control
Front	Bump Stop Bush Kit - Upper	SPF0205K	1	SuperPro SPF
Front	Chassis Mount Idler Bush	SPF0936K	1	SuperPro SPF
Front	Coil Spring Spacer Bush Kit	SPF0252-3K	2	SuperPro SPF
Front	Control Arm Lower-Inner Bush Kit Aftermarket Arms only, Need to select correct tube from kit for vehicle	SPF1886K	1	SuperPro SPF
Front	Control Arm Lower-Inner Bush Kit	SPF2268K	1	SuperPro SPF
Front	Front End Repair Kit	KIT047FK	1	Vehicle Kits
Front	Idler Arm Assembly SuperPro one end & rubber the other	SPF1414K	1	SuperPro SPF
Front	Idler To Draglink Bush Kit Rubber bushing	SPF2130K	1	SuperPro SPF
Front	Shock Absorber Lower Bush Kit	SPF0496K	1	SuperPro SPF
Front	Shock Absorber Upper Bush Kit	SPF2937K	1	SuperPro SPF
Front	Spring Saddle	SPF0335K	1	SuperPro SPF
Front	Strut Bar To Chassis Mount Bush Kit	SPF2069AK	1	SuperPro SPF
Front	Sway Bar Link Bush Kit	SPF2950K	1	SuperPro SPF
Rear	Leaf Spring Bush Kit - 51mm Round Front Eye	KIT047RK	1	Vehicle Kits
Rear	Leaf Spring Saddle Mount Bush Kit	SPF0101K	1	SuperPro SPF
Rear	Leaf Spring Slipper Pad Bush Kit	SPF0216K	1	SuperPro SPF

Rear	Shock Absorber Upper & Lower Bush Kit	SPF2937K	2	SuperPro SPF
Rear	Spring Front Eye Bush Kit 51mm OD	SPF2229K	1	SuperPro SPF
Rear	Spring Rear Bush Kit All	SPF2233K	1	SuperPro SPF
Rear	Spring Rear Eye Bush Kit 35mm OD, 31mm length, 12.7mm ID	SPF0821K	1	SuperPro SPF
Rear	Sway Bar Link and Bush Kit	SPF2966BK	1	SuperPro SPF
Rear	Sway Bar Link Bush Kit	SPF2950K	1	SuperPro SPF