



# NON CATALOGUED PART ENQUIRY FORM

## Swaybar "D" Bushing Specification

Date \_\_\_\_\_

This information is sent from \_\_\_\_\_ Ph \_\_\_\_\_

Vehicle Make \_\_\_\_\_ Model \_\_\_\_\_

Build Date \_\_\_\_\_ Engine \_\_\_\_\_ 2WD / 4WD

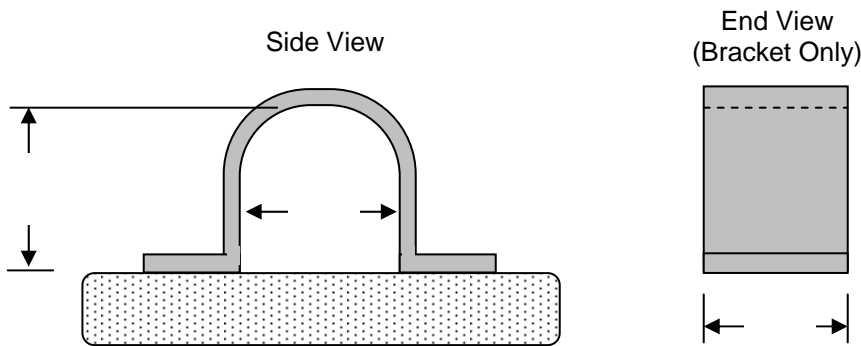
Chassis No \_\_\_\_\_ Application Front / Rear

Description \_\_\_\_\_

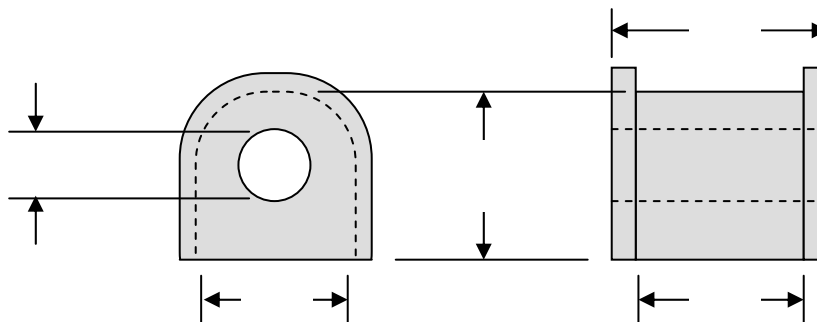
Original Manufacturer's Part No. (if known) \_\_\_\_\_

To help match bushings please measure original bushing or chassis and record all of the dimensions on the diagrams below. Please use one sheet per application.

### Bracket / Chassis information (with bracket mounted in vehicle)



### Original bushing information



Original Swaybar diameter \_\_\_\_\_ mm

Comments

---



---